

Description

Time-Lag type, 250V rated, designed in accordance to IEC 60127-3.


Features

- Lead-free
- Reduced PCB space requirements
- Direct solderable or plug-in versions
- 100A breaking capacity
- Internationally approved
- Low internal resistance
- Shock safe casing
- Vibration resistant
- Halogen free

Applications

- Battery Chargers
- Consumer Electronics
- Power supplies
- Industrial Controllers

Agency Approvals

Agency	File Number	Ampere Range
 US	PENDING	50mA - 6.3A

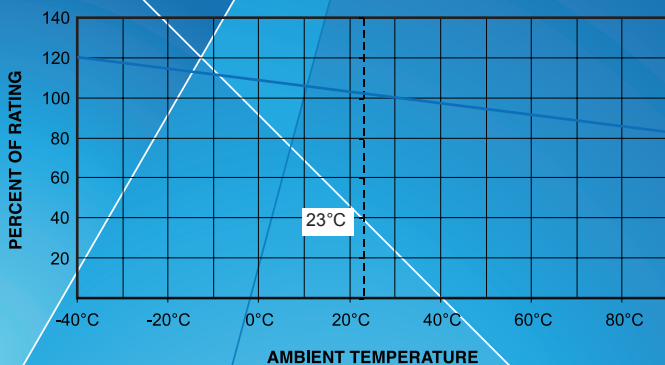
Electrical Characteristics for Series

% of Ampere	Opening Time
150%	1 Hour, Min.
210%	120 s, Max.
275%	400 ms, Min. ; 10 Sec., Max.
400%	150 ms, Min. ; 3 Sec., Max.
1000%	20 ms, Min. ; 150 ms, Max.

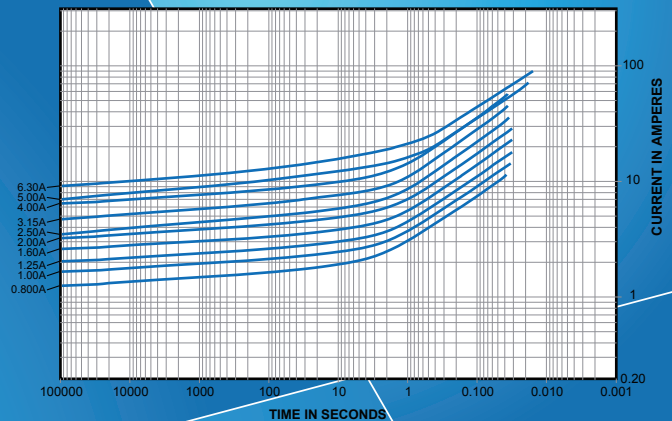
Performance Specification

Product Model	Rated Current	Voltage Rating	Breaking Capacity	Voltage Drop 1.0×I _N max. (mV)	Power Dissipation 1.5×I _N max. (mW)	Melting Integral 10×I _N min. (A ² s)	Agency Approvals
							UL US
RS250T050	50mA	250V	25A/250 VAC	650	18	0.000325	X
RS250T063	63mA	250V	25A/250 VAC	500	22	0.001580	X
RS250T080	80mA	250V	25A/250 VAC	400	28	0.003200	X
RS250T100	100mA	250V	25A/250 VAC	350	40	0.005000	X
RS250T125	125mA	250V	25A/250 VAC	350	75	0.006250	X
RS250T160	160mA	250V	25A/250 VAC	330	120	0.007680	X
RS250T200	200mA	250V	25A/250 VAC	300	140	0.024000	X
RS250T250	250mA	250V	25A/250 VAC	250	160	0.043750	X
RS250T315	315mA	250V	25A/250 VAC	230	180	0.059530	X
RS250T400	400mA	250V	25A/250 VAC	210	200	0.080000	X
RS250T500	500mA	250V	25A/250 VAC	170	240	0.083000	X
RS250T630	630mA	250V	25A/250 VAC	150	260	0.119000	X
RS250T800	800 mA	250 V	25A/250 VAC	110	280	3.80	X
RS250T1000	1.00 A	250 V	25A/250 VAC	115	400	5.80	X
RS250T1250	1.25 A	250 V	25A/250 VAC	100	500	9.75	X
RS250T1600	1.60 A	250 V	25A/250 VAC	95	600	13.50	X
RS250T2000	2.00 A	250 V	25A/250 VAC	90	700	21.00	X
RS250T2500	2.50 A	250 V	25A/250 VAC	85	750	32.00	X
RS250T3150	3.15 A	250 V	32A/250 VAC	80	1100	55.00	X
RS250T4000	4.00 A	250 V	40A/250 VAC	75	1200	100.00	X
RS250T5000	5.00 A	250 V	50A/250 VAC	70	1000	90.00	X
RS250T6300	6.30 A	250 V	63A/250 VAC	65	1200	126.00	X

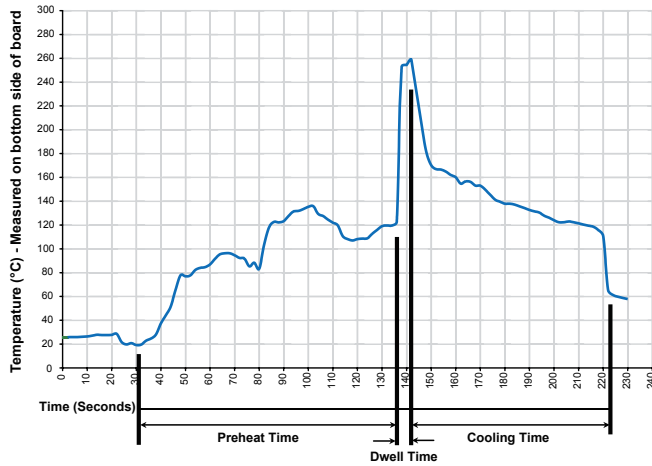
Temperature Derating Curve



Average Time-Current Curve



Soldering Parameters



Recommended Process Parameters:

Wave Parameter

Lead-Free Recommendation

Preheat:

(Depends on Flux Activation Temperature) (Typical Industry Recommendation)

Temperature Minimum: 100° C

Temperature Maximum: 150° C

Preheat Time: 60-180 seconds

Solder Pot Temperature: 260° C Maximum

Solder Dwell Time: 2-5 seconds

Recommended Hand-Solder Parameters:

Solder Iron Temperature: 350° C +/- 5° C

Heating Time: 5 seconds max.

Note: These devices are not recommended for IR or Convection Reflow process.

Product Characteristics

Materials

Base/Cap: Brown Thermoplastic
Polyamide PA 6.6, UL 94 V-0
Round Pins: Copper, Tin-plated

Lead Pull Strength

10 N (EN 60068-2-21)

Solderability

260°C, ≤ 3s. (Wave)
350°C, ≤ 1s. (Soldering Iron)

Soldering Heat Resistance

260°C, 10s. (IEC 60068-2-20)
350°C, 3s. (Soldering Iron)

Operating Temperature

*-40°C to +125°C (consider de-rating)

Climatic Category

-40°C to +85°C /21 days
(EN 60068-1,-2-1,-2-2,-2-78)

Stock Conditions

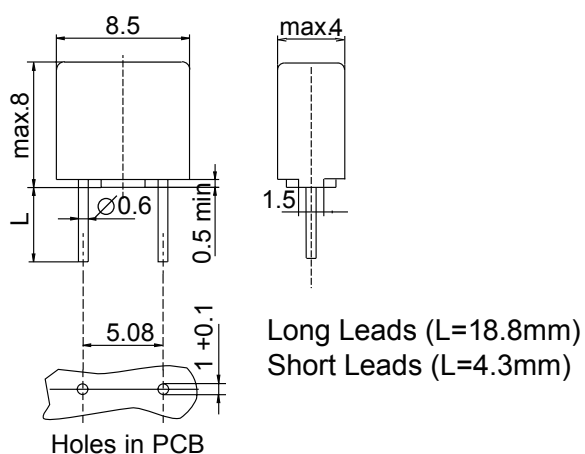
+10°C to +60°C
RH ≤ 75% yearly average, without dew, maximum value for 30 days—95%
24 cycles at 15 min. each(EN 60068-2-6)

Vibration Resistance

10 - 60 Hz at 0.75 mm amplitude
60 - 2000 Hz at 10 g acceleration

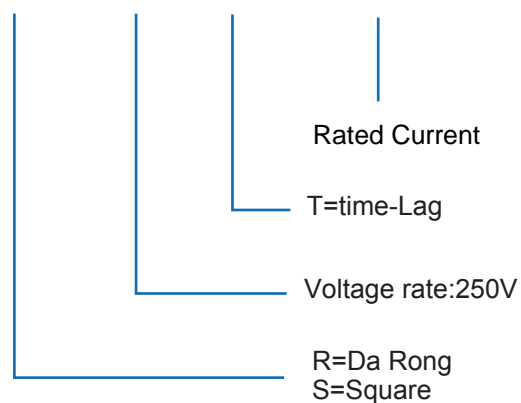
* Internal test conditions from thermal cycling at 125°C

Dimensions



Product Identification

RS 250 T xxxx



Packaging

Packaging Option	Packaging Specification	Quantity	Quantity & Packaging Code	Quantity & Packaging Code
RS250 T Series				
Tape & Ammopack	N/A	1,400	0000	N/A
Short Leads	N/A	1,400	0440	N/A